

Instruction Sheet

VIQUA CoolTouch™ Installation

Models: B4, C4, D4, E4, F4 Series

Overview

The CoolTouch™ valve is designed for use on VIQUA systems equipped with sensors. It may be installed where such a system is known or might be expected to encounter extended periods without water flow.

The CoolTouch's operation is entirely automatic. Above a temperature threshold, the CoolTouch™ will open to allow a small amount of water to pass. In this way, the operating temperature of the lamp is maintained within optimal operating parameters regardless of incoming water temperature, ambient air temperature, or duration of no-flow conditions. The amount of water discharged will depend on the size of the system as well as the frequency and duration of periods without water flow.

Section 1 Safety Information

Please read this entire instruction sheet before operating this equipment. Pay attention to all danger, warning, and caution statements in this instruction sheet. Failure to do so could result in serious personal injury or damage to the equipment.

Make sure that the protection provided by this equipment is not impaired. Do not use or install this equipment in any manner other than that specified in the instruction sheet.

1.1 Safety Precautions

DANGER



Failure to follow these instructions will result in serious injury or death.

Shock Hazard - Stored Energy



- Disconnect power to system before performing any maintenance or repair.



- There may be more than one source of power. Only connect to a GFCI.



- Protective ground



- DO NOT touch with wet hands.

Pressurized Device - Impalement Hazard



- NEVER perform any physical inspection, repair or maintenance on UV chamber unless UV chamber has been isolated and depressurized.



- NEVER service UV lamps, quartz sleeves or associated hardware until depressurization of UV chamber has been confirmed.



- DO NOT store any combustible or flammable material close to the system.

Safety Information

⚠ WARNING

Failure to follow these instructions could result in serious injury or death.

UV Light Hazard



- ALWAYS use UV protective gear, including gloves and UV safety glasses.
- NEVER look directly at illuminated UV lamp, even when using protective gear.
- NEVER illuminate UV lamp outside of the UV chamber.
- If accidental exposure occurs, immediately cool affected area and consult physician.

Contamination Hazard

- If UV lamp breaks, avoid inhalation, ingestion, or exposure to eyes and skin. Wear appropriate clothing and personal protective equipment.
- NEVER use a vacuum cleaner to clean up broken UV lamps as this will scatter the mercury. Obey local regulations and guidelines for the removal and disposal of mercury waste.



WARNING: This product can expose you to chemicals including Phthalates, which are known to the State of California to cause cancer and birth defects or other reproductive harm. For more information go to www.P65Warnings.ca.gov.

⚠ CAUTION

Failure to follow these instructions could result in minor or moderate injury.



Thermal Hazard

- Allow UV lamps, UV chamber to cool for a minimum of 10 (ten) minutes before handling.
- When there is no water flow, the water in the chamber will become hot. To prevent scalding, allow the system to cool for 10 minutes before draining the system.

Personal Injury Hazard

- UV lamps and quartz sleeves are fragile. Do not strike, bend or apply pressure, or they will break.
- DO NOT handle UV lamps or quartz sleeves with bare hands. Wear rubber or latex gloves to handle previously installed UV lamps and soiled quartz sleeves to protect against contaminants. Wear cotton gloves to handle new UV lamps and clean quartz sleeves.

NOTICE

System Protection

- To protect the Controller, a UL 1449 certified (or equivalent) transient voltage surge suppressor is strongly recommended.

Avoid Injury

- Read and understand this Instruction Sheet before operating and performing any maintenance on this equipment.

1.2 Water Chemistry

The CoolTouch™ may be affected by foreign bodies and mineral deposition. The water quality requirements are the same as those for the VIQUA system itself:

Water Quality and Minerals	Level
Iron	< 0.3 ppm (0.3 mg/L)
Hardness*	< 7 gpg (120 mg/L)

Failure mode: In the event that the CoolTouch™ thermal valve were to ever fail, it would cause some degree of continuous water flow to drain. This would not affect the performance of the VIQUA system.

Section 2 Installation

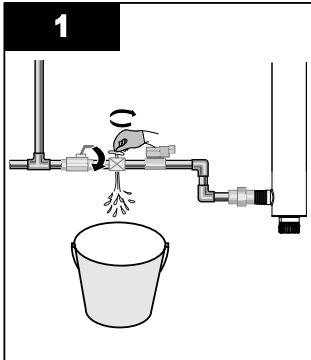
⚠ WARNING



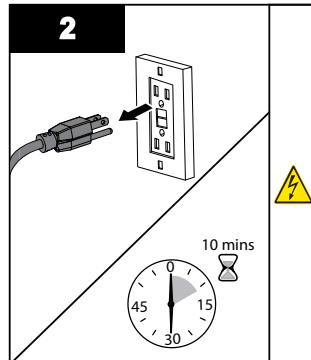
- Always disconnect power before performing any work on the UV system.
- Always shut-off water flow and release water pressure before servicing.
- Always drain the chamber when closing a seasonal home or leaving the unit in an area subject to freezing temperatures.

2.1 Installing CoolTouch™

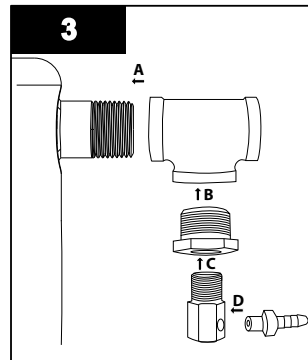
Procedure:



- Close all faucets and water inlets.



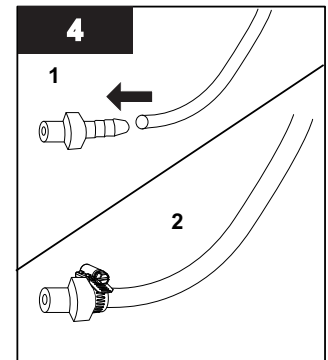
- Disconnect main power source and allow the unit to cool for 10 minutes.



- Assemble CoolTouch™ components as shown above.
- Use Teflon tape to ensure a watertight seal and do not overtighten.
- A - Tee inlet directly to reactor outlet.
- B - Bushing to tee's side outlet.
- C - Thermal valve to bushing.
- D - Barbed fitting to thermal valve.

Notes:

- 1) CoolTouch™ with 1" assembly shown above.
- 2) Ensure that the final position of the thermal valve:
 - Is at or below the level of the outlet, so as to ensure that air is not trapped in the valve.
 - Does not interfere with the UV sensor (if equipped).



- Attach a 1/4" inside-diameter tubing (not included) to plastic barbed nipple.
- Secure the 1/4" inside-diameter tubing with a stainless steel screw clamp (not included).
- Plumb tubing to a drain or back to the well.

2.2 Materials of Construction

Various components of the CoolTouch™ incorporate the following materials:

- 304L and 316L stainless steel
- Lead-free brass
- Viton
- FDA-approved nylon



425 Clair Rd. W, Guelph, Ontario, Canada N1L 1R1
t. (+1) 519.763.1032 • tf. (+1) 800.265.7246 (US and Canada only)
t. (+31) 73 747 0144 (Europe only) • f. (+1) 519.763.5069
e-mail: info@viqua.com
www.viqua.com



FR

Cet appareil se recycle

À DÉPOSER EN MAGASIN

OU

À DÉPOSER EN DÉCHÈTERIE

Points de collecte sur www.quefairedemesdechets.fr
Privilégiez la réparation ou le don de votre appareil !

The block contains a recycling symbol on the left, followed by the text "Cet appareil se recycle". To the right, there are two options for disposal: "À DÉPOSER EN MAGASIN" with a storefront icon, and "À DÉPOSER EN DÉCHÈTERIE" with a recycling symbol icon. The word "OU" is placed between these two options. At the bottom, there is a line of text providing a website for collection points and a recommendation to repair or donate the device.