

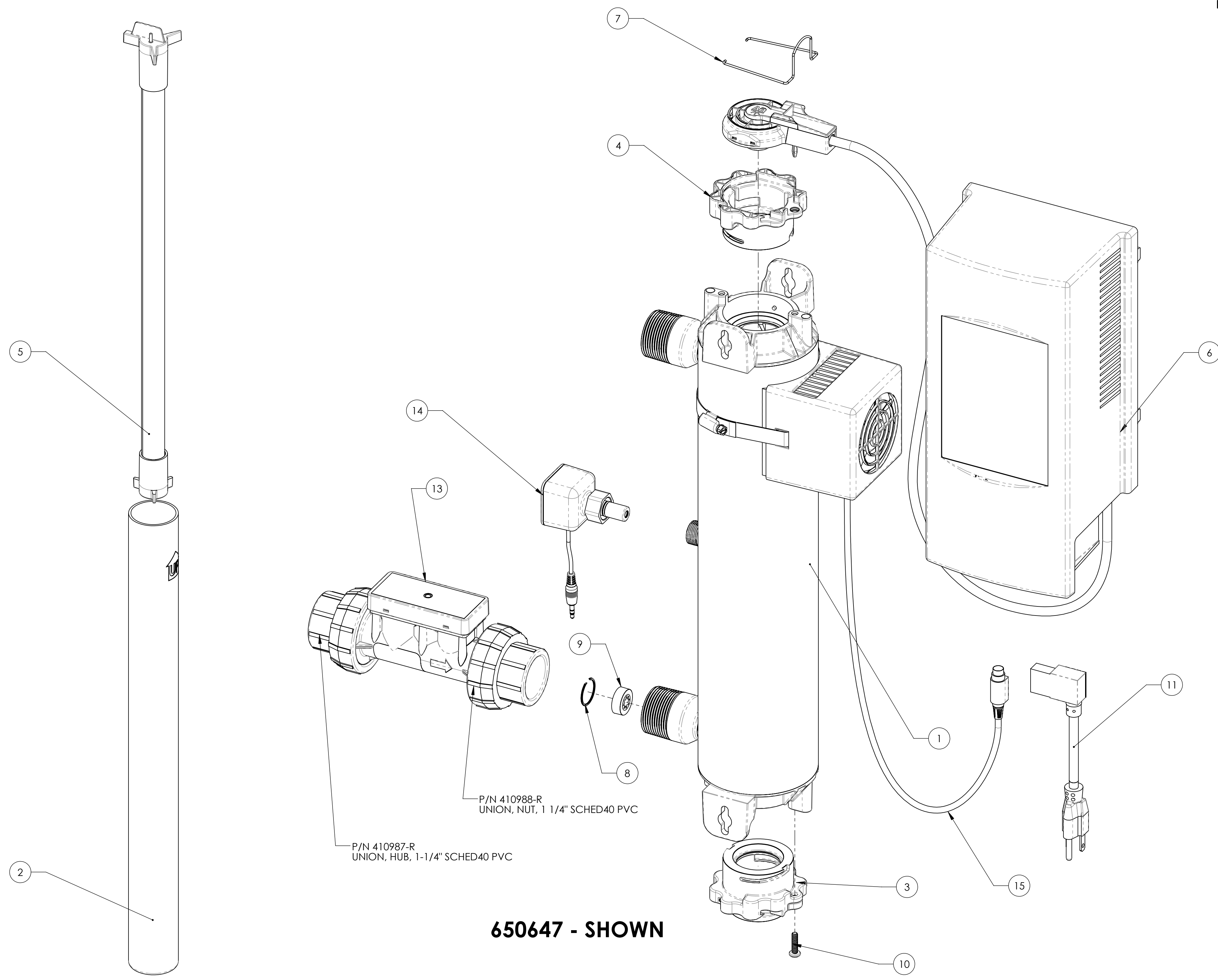
REV	SHT	ZONE	REVISION DESCRIPTION	LOG NO.	REV BY	CHK BY	APPD BY	DATE
A				15-358	AMB			YYYY-MM-DD

- NOTES:
- THESE SYSTEMS HAVE BEEN INVESTIGATED BY UL IN ACCORDANCE WITH:
 - UL 979-STANDARD FOR WATER TREATMENT APPLIANCES
 - CAN/CSA C22.2 No. 68-09-STANDARD FOR MOTOR -OPERATED APPLIANCES(HOUSEHOLD AND COMMERCIAL)
 - THESE SYSTEMS USE ALL RoHS CERTIFIED MATERIALS
 - THESE SYSTEMS HAVE BEEN BUILT IN ACCORDANCE TO NSF/ANSI 61 ANNEX G FOR LOW LEAD
 - THE LAMPS USED IN THESE SYSTEMS ARE IMERC REGISTERED
 - SYSTEMS PRO10, PRO20 AND PRO30 HAVE BEEN TESTED AND CERTIFIED BY NSF INTERNATIONAL AGAINST CSA B483.1 AND NSF/ANSI 55 FOR DISINFECTION PERFORMANCE, CLASS A.

PART NUMBER	DESCRIPTION	REPLACEMENT CONTROLLER KIT (ITEM 6)
650647	UVMAX PRO 10 RS 120V 1/2"x1"NPT	650709-003
650650	UVMAX PRO 10 RS 230V 1/2"x1"NPT	650709-003
650651	UVMAX H RS 120V 1/2"x1"NPT	650709-004
650652	UVMAX H+ RS 120V 1/2"x1"NPT	650709-005
650653	UVMAX PRO 20 RS 120V 1/2"x1"NPT	650709-006
650654	UVMAX H RS 230V 1/2"x1"NPT	650709-004
650655	UVMAX H+ RS 230V 1/2"x1"NPT	650709-005
650656	UVMAX PRO 20 RS 230V 1/2"x1"NPT	650709-006
650659	UVMAX PRO 30 RS 120V 1/2"x1"NPT	650709-009
650662	UVMAX PRO 30 RS 230V 1/2"x1"NPT	650709-009

DESCRIPTION	ITEM #	LENGTH
POWER CORD	ITEM 6	80"
FLOW METER HARNESS	ITEM 13	70"
COOL TOUCH FAN HARNESS	ITEM 15	72"
UV SENSOR HARNESS	ITEM 15	70"
LAMP HARNESS	SEE ITEM 6	48"
SOLENOID HARNESS	NOT SHOWN	70"

ITEM NO	QTY.	DESCRIPTION	PART NO.
15	1	COOLTOUCH KIT, UVMAX GEN2	650630
14	1	SENSOR ASSY, PRO	270281-R
13	-	SENSOR, FLOW METER GPM	410982R-30
13	-	SENSOR, FLOW METER GPM	410982R-20
13	1	SENSOR, FLOW METER GPM	410982R-10
12	-	PLUG KIT, SENSOR PORT UVMAX	650566
11	1	CORD, POWER 120V 90DEG	602636
11	1	CORD, POWER 230V 90DEG	602637
10	1	SCREW, 10-24x3/4 PAN PH 304	010048
9	-	RESTRICTOR, FLOW 30GPM, UVM G2	602868
9	-	RESTRICTOR, FLOW 20GPM UVM G2	602867
9	1	RESTRICTOR, FLOW 10GPM UVM G2	602866
8	1	RING, RETAINING SQ UVMAX GEN2	602895
7	1	WIREFORM, HARNESS UVMAX GEN2	602896
6	1	POWER SUPPLY, UVMAX G2 RS	650636G
5	-	LAMP, REPL UVMAX J/PRO30 PKGD	602856
5	-	LAMP, REPL UVMAX H/PRO20 PKGD	602855
5	1	LAMP, REPL UVMAX G/PRO10 PKGD	602854
4	1	BOLT, SLEEVE UVMAX GEN 2	602916
3	1	SLEEVE BOLT ASSY, UVMAX G2 RS	603053
2	-	SLV, REPL UVMAX J/PRO 30 PKGD	602976
2	-	SLV, REPL UVMAX H/PRO 20 PKGD	602975
2	1	SLV, REPL UVMAX G/PRO 10 PKGD	602974
1	-	CHAMBER, UVM G2 30+, 1/2"x1" RS	650634-006
1	-	CHAMBER, UVM G2 20+, 1/2"x1" RS	650634-004
1	1	CHAMBER, UVM G2 10+, 1/2"x1" RS	650634-002



650647 - SHOWN

UNLESS OTHERWISE SPECIFIED:
 DO NOT SCALE DRAWING
 INTERPRET DIMENSIONS AND TOLERANCES PER ASME Y14.5M-2009
 DIMENSIONS ARE IN INCHES
 TOLERANCES APPLY AS SHOWN BELOW:
 2 PL DEC ± 0.01
 3 PL DEC ± 0.005
 ANGLE ± 0.3°
 REMOVE ALL BURRS. ALL CORNERS R 0.010" OR BREAK EDGE. **CRITICAL CHARACTERISTIC**

THIRD ANGLE PROJECTION

COPYRIGHT BY VIQUA, ALL RIGHTS RESERVED.

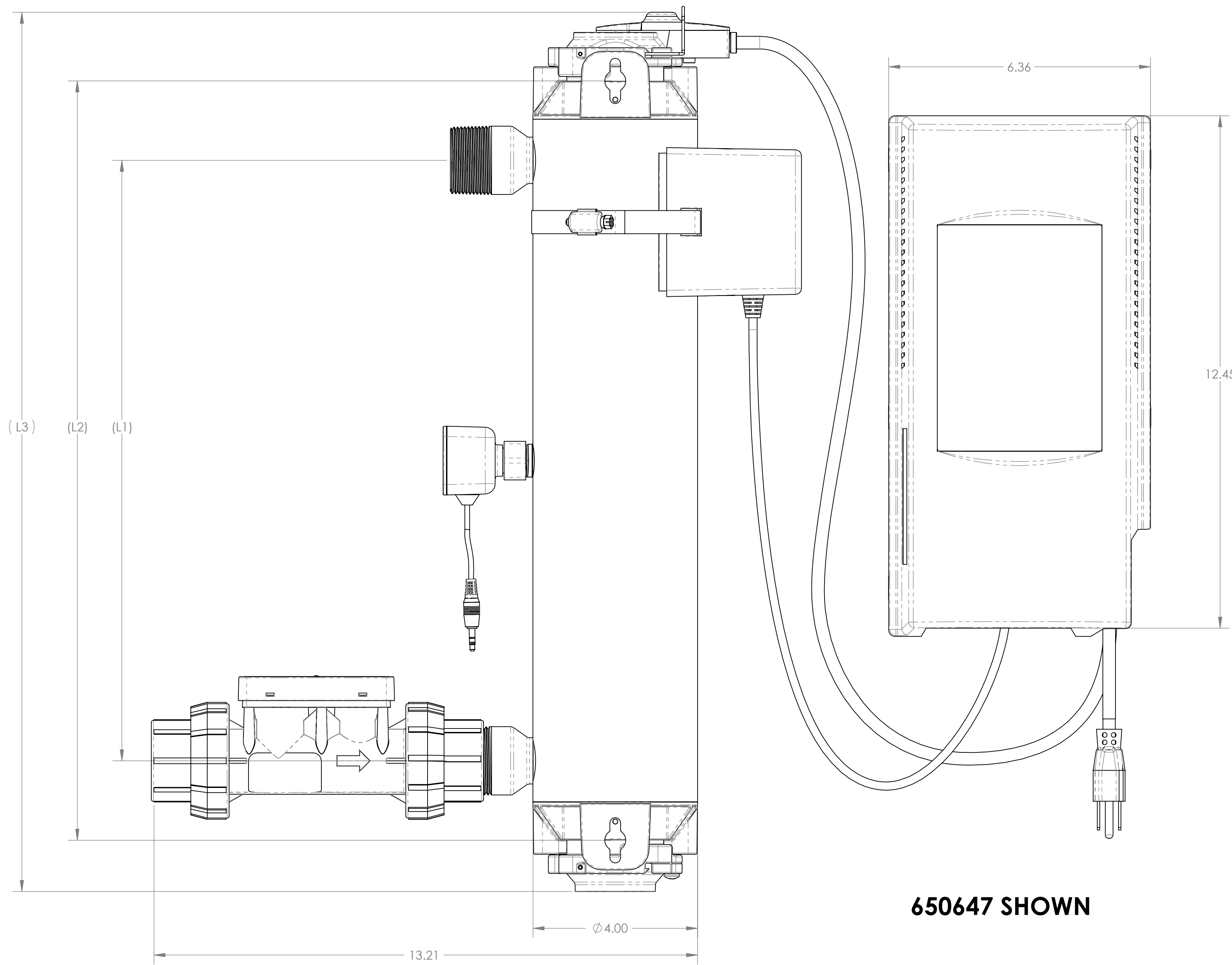
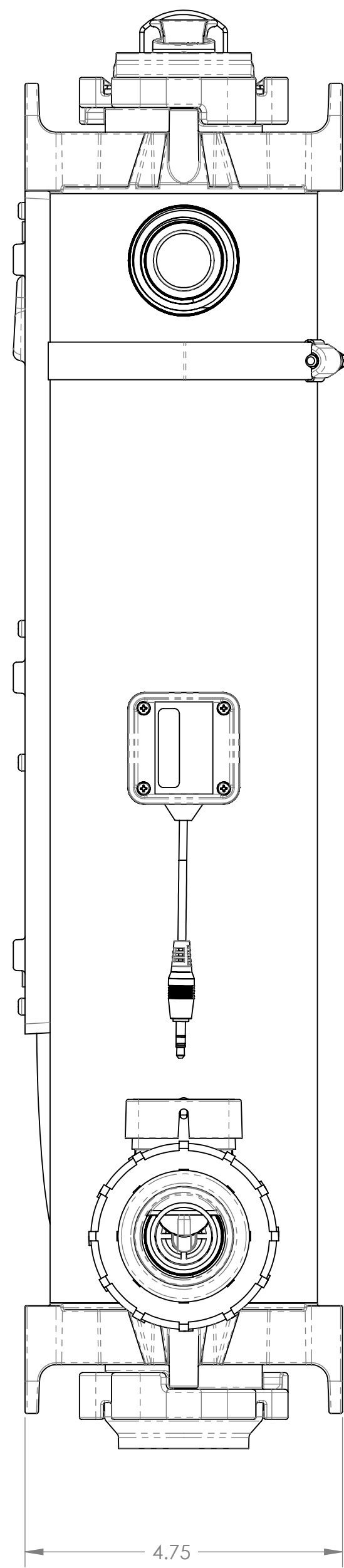
VIQUA
 A TROJAN TECHNOLOGIES BUSINESS
 425 CLAIR ROAD WEST, GUELPH, ONTARIO, CANADA, N1L-1R1
 DESCRIPTION: UVMAX, GEN2 RS

SolidWorks MAINTAINED DATA. CHANGES SHALL BE INCORPORATED ELECTRONICALLY.

DRAWN BY: AMB
 CREATED ON: 2015-04-16
 RELEASE LOG #: 07-999

DWG NO.: 650644G
 SCALE: 1:8
 SHEET 1 OF 3
 SIZE D

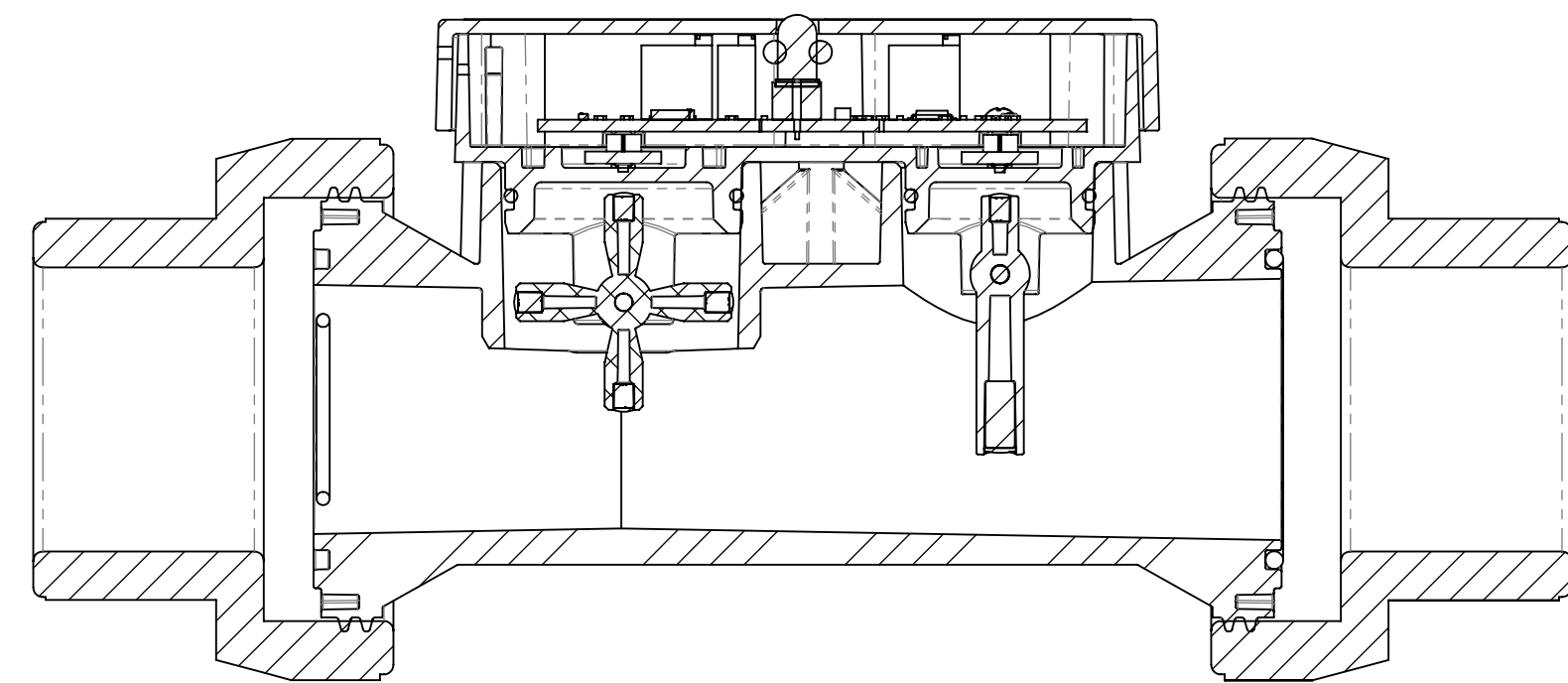
REV: A



650647 SHOWN

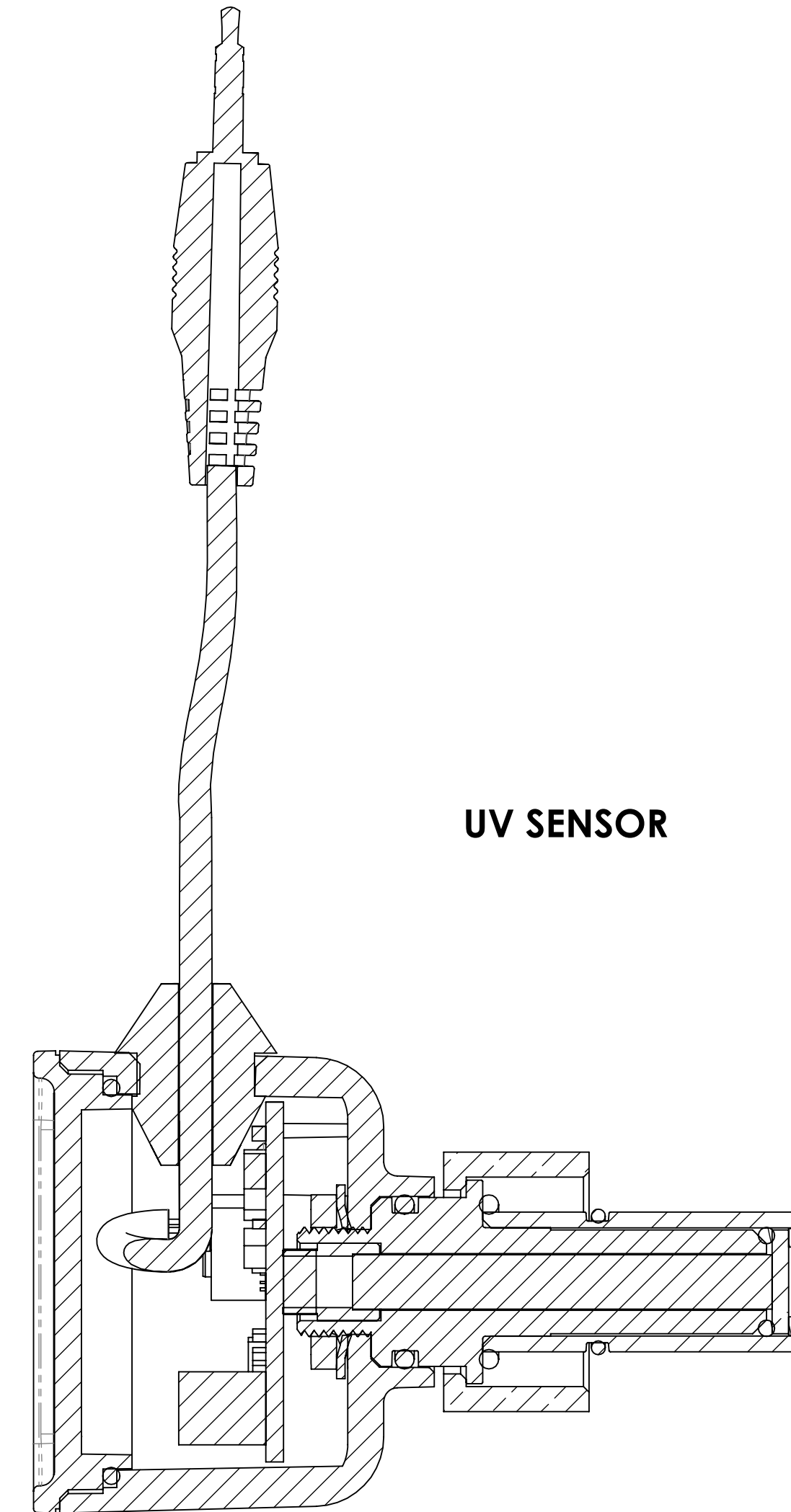
PART NUMBER	DESCRIPTION	L1	L2	L3
650647	UVMAX PRO 10 RS 120V 1/4"x1"NPT	14.59	18.45	21.38
650650	UVMAX PRO 10 RS 230V 1/4"x1"NPT	14.59	18.45	21.38
650651	UVMAX H RS 120V 1/4"x1"NPT	23.84	27.70	30.63
650652	UVMAX H+ RS 120V 1/4"x1"NPT	23.84	27.70	30.63
650653	UVMAX PRO 20 RS 120V 1/4"x1"NPT	23.84	27.70	30.63
650654	UVMAX H RS 230V 1/4"x1"NPT	23.84	27.70	30.63
650655	UVMAX H+ RS 230V 1/4"x1"NPT	23.84	27.70	30.63
650656	UVMAX PRO 20 RS 230V 1/4"x1"NPT	23.84	27.70	30.63
650659	UVMAX PRO 30 RS 120V 1/4"x1"NPT	33.64	37.5	40.42
650662	UVMAX PRO 30 RS 230V 1/4"x1"NPT	33.64	37.5	40.42

<p>UNLESS OTHERWISE SPECIFIED: DO NOT SCALE DRAWING INTERPRET DIMENSIONS AND TOLERANCES PER ASME Y14.5M-2009 DIMENSIONS ARE IN INCHES TOLERANCES APPLY AS SHOWN BELOW: 2 PL DEC ± 0.01 3 PL DEC ± 0.005 ANGLE ± 0.3° REMOVE ALL BURRS. ALL CORNERS R.0.010" OR BREAK EDGE. CRITICAL CHARACTERISTIC</p>	<p>COPYRIGHT BY VIQUA, . ALL RIGHTS RESERVED.</p>	<p>VIQUA A TROJAN TECHNOLOGIES BUSINESS 425 CLAIR ROAD WEST, GUELPH, ONTARIO, CANADA, N1L-1R1 DESCRIPTION UVMAX PRO GEN2 RS</p>	<p>REV A</p>
	<p>SolidWorks MAINTAINED DATA CHANGES SHALL BE INCORPORATED ELECTRONICALLY</p>		<p>DWG NO. 650644G</p>
<p>THIRD ANGLE PROJECTION </p>	<p>DRAWN BY AMB</p> <p>CREATED ON 2015-04-16</p> <p>RELEASE LOG # 07-999</p>	<p>MASS: 20.41 lbs</p>	<p>REV A</p>




FLOW METER

**SECTION A-A
SCALE 1 : 1**



UV SENSOR

**SECTION B-B
SCALE 2 : 1**

<p>UNLESS OTHERWISE SPECIFIED: DO NOT SCALE DRAWING INTERPRET DIMENSIONS AND TOLERANCES PER ASME Y14.5M-2009 DIMENSIONS ARE IN INCHES TOLERANCES APPLY AS SHOWN BELOW: 2 PL DEC = 0.01 3 PL DEC = 0.005 ANGLE = ± 0.5° REMOVE ALL BURRS. ALL CORNERS R.0010" OR BREAK EDGE. <input checked="" type="checkbox"/> CRITICAL CHARACTERISTIC THIRD ANGLE PROJECTION</p> 	<p>COPYRIGHT BY VIQUA, . ALL RIGHTS RESERVED.</p>	<p>VIQUA A TROJAN TECHNOLOGIES BUSINESS</p>		
	<p>SolidWorks MAINTAINED DATA CHANGES SHALL BE INCORPORATED ELECTRONICALLY</p>	<p>425 CLAIR ROAD WEST, GUELPH, ONTARIO, CANADA, N1L-1R1</p>		
	<p>DRAWN BY: AMB CREATED ON: 2015-04-16 RELEASE LOG #: 07-999</p>	<p>DWG NO.: 650644G MASS: 20.41 lbs SCALE 1:2</p>	<p>DESCRIPTION: UVMAX PRO GEN2 RS</p>	<p>REV: A</p>
	<p>1</p>	<p>1</p>	<p>SHEET 3 OF 3</p>	<p>SIZE D</p>